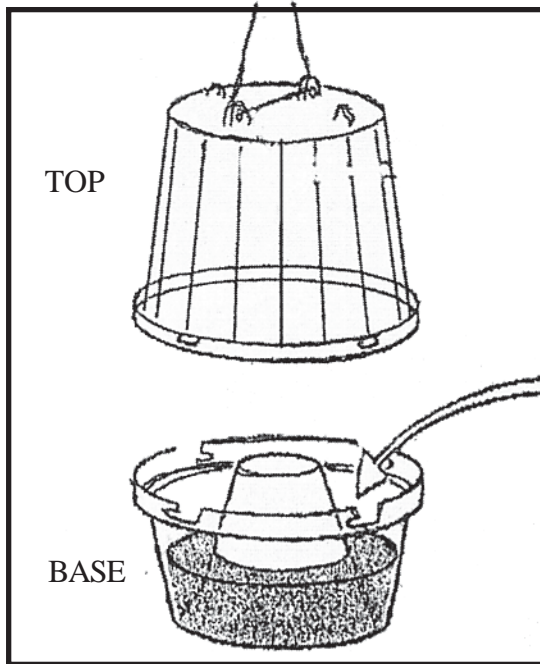
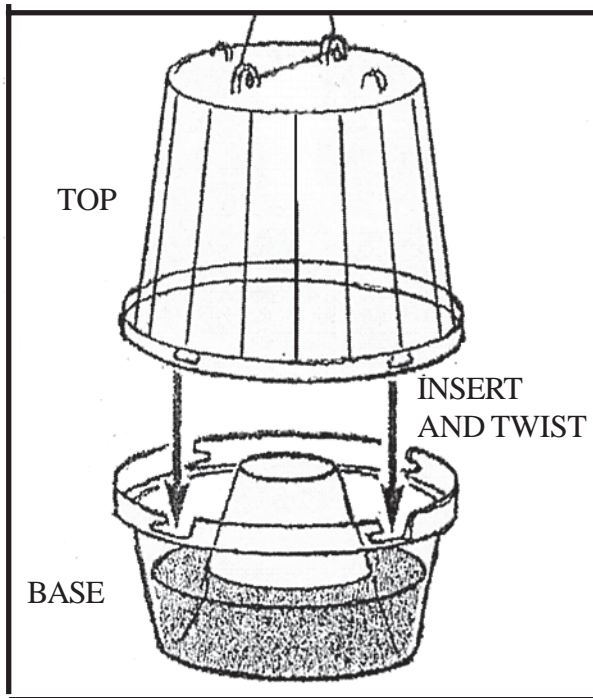


# MODIFIED LIQUIBAITOR TRAP ASSEMBLY (Torula Yeast Pellets)

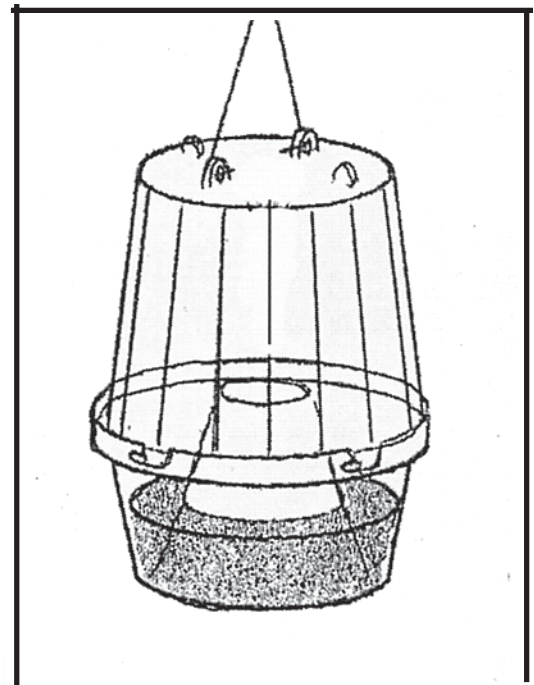


Fill base 2/3 full with water. Add 1 yeast pellet. Change water and yeast pellet every 1-2 weeks.

## 1 Activating trap



## 2 Assembly



## 3 Complete trap