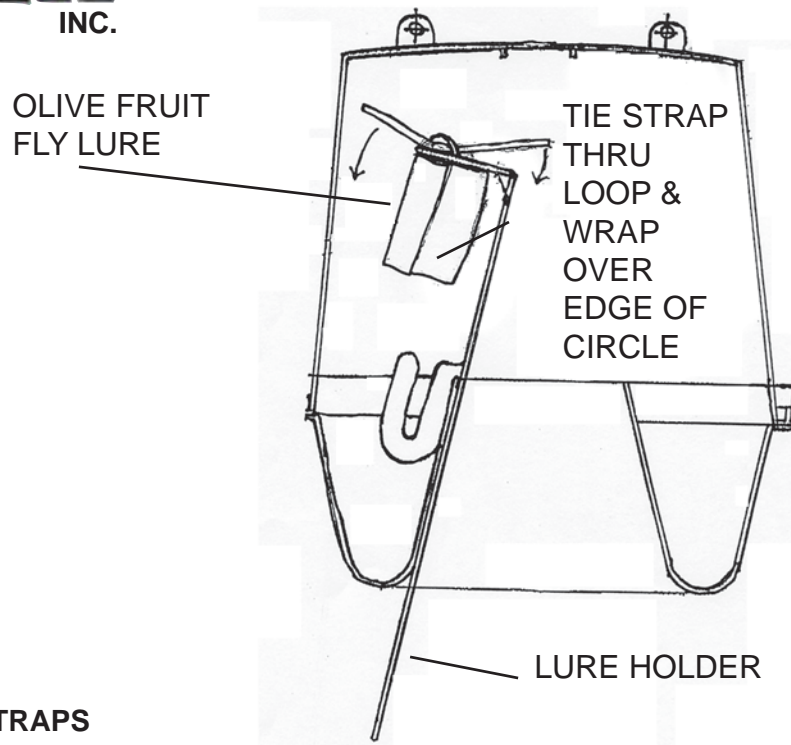




TRAP ASSEMBLY OF MODIFIED LIQUIBAITOR TRAP OLIVE FRUIT FLY



SITING OF TRAPS

1. Site trap in preferred host trees bearing fruit.
2. Site traps in brightest part of the tree in open shade ensuring that trap will not be in direct sun light at any time.
3. Site traps so that foliage does not come within 6 inches of the trap aperture.
4. Traps should usually be suspended 1 to 2 meters from the ground.
5. If preferred host trees bearing fruit do not permit observance of rules 2, 3, or 4, then place the trap in a barren host tree or nonhost tree which satisfies rules 2, 3, or 4 and is close to host trees. Suitable places in a tree will usually be found to be between 1/2 and 2/3 of the distance between the trunk and outer foliage. The trap should not hang below or outside the foliage of the tree.

DENSITY

Monitoring: 1-2 traps per 2 1/2 acres
10-12 traps per 2 1/2 acres for mass trapping

Visit traps on a regular basis (at least weekly) and change dispensers every 4-6 weeks.

GREAT LAKES IPM INC
10220 CHURCH RD NE
VESTABURG MI 48891

989-268-5693
800-235-0285
FAX: 989-268-5311

www.greatlakesipm.com
E-mail: glipm@greatlakesipm.com