

Pherocon® PEW

TRÉCÉ®

INCORPORATED

Assembly Instructions

TRAP ASSEMBLY INSTRUCTIONS

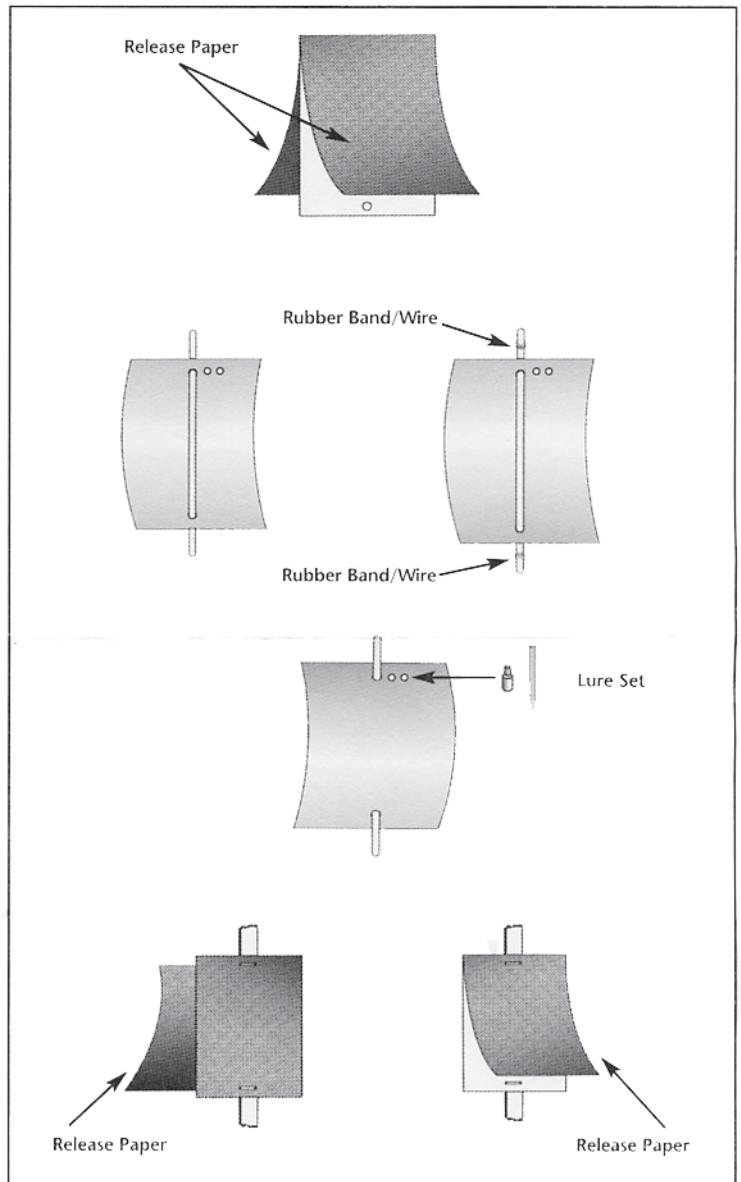
Option 1: DOWEL OR BAMBOO STAKE ATTACHMENT

1. Peel off the release paper from both glued surfaced of the trap.
2. Attach trap panel to dowel or bamboo stake by inserting the dowel in the holes provided in the top and bottom of each trap panel. To keep the trap at the correct height above the plant colony, secure trap on the dowel with two wire ties or rubber bands. Twist one tie or rubber band around the pole below the trap and another above the trap.
3. Attach the lure system by slipping the lures into the two holes provided in the trap.

Option 2: LATH/STAPLE ATTACHMENT

1. Attach the trap panel to a lath with a staple gun. Be sure to peel off the release paper on the side of the trap facing the lath before stapling. After attaching the trap to the lath peel off the release paper on the front surface.

Note: Change lure system every two weeks.



Distributed by:
Great Lakes IPM, Inc.
10220 Church Rd NE
Vestaburg MI 48891

989-268-5693
800-235-0285
FAX: 989-268-5311

Web Site: www.greatlakesipm.com
E-mail: gliipm@greatlakesipm.com



PEPPER WEEVIL *Anthonomus eugenii* Cano

- DESCRIPTION:** **Adults:** About 1/8 inch long (ranges from 1/16 to 5/32 inches), shiny black with yellowish-white scale-like hairs. Typical weevil appearance, but 1/3 to 1/2 the size of an adult boll weevil. Males produce a potent multi-component sex/aggregation pheromone which attracts both males and females in varying ratios. **EGGS:** Eggs are usually placed individually in holes cut by females into the pepper bud or into the base of young pepper pods. Females avoid ovipositing into buds or pods already containing an egg. **LARVAE & PUPAE:** Eggs hatch in about 3-5 days. Mature larvae are less than 1/4 inch long and resemble small white grubs. Larvae feed on seed core or tissue of pod wall. Larval development requires about 2-3 weeks. Pupation occurs within the pepper pod, on or in the seed receptacle (placenta), and requires about 3-6 days.
- HOSTS:** Pepper (*Capsicum spp.*) is the primary host; nightshade is a less preferred secondary host.
- DAMAGE:**
- * Yield reduction from early abscission of attacked fruit.
 - * Infested fruit usually contains frass and decaying tissue.
 - * Adult weevils also transmit internal mold of peppers.
 - * Fruit infested near maturity may not fall, resulting in the potential for infestation and rejection of pepper shipments.
- PHENOLOGY:**
- * Multiple (5-8) generations per year; 21 day average life cycle (in mild temperature); adult females can lay up to 340 eggs.
 - * In warmer areas (i.e. without killing winters), adults are present year round, provided suitable host plants or plant materials are present. In other areas, weevils must “hitchhike” on transplants or within fruits, or migrate.
 - * Adults usually arrive on peppers when they are beginning to bud.
- LURE:**
- * Pherocon PEW Controlled Release Systems (2 component lure)
- LURE STORAGE:**
- * Store in unopened factory-sealed packages in cool place (75F maximum).
 - * Refrigerate or freeze carryover stock.
- TRAP DESIGN:**
- * Pherocon PEW Monitoring Trap-two-sided yellow “sticky card”, to be positioned on suitable user-supplied poles, stakes, or laths.
- PLACEMENT TIME:**
- * Variable with location, usually two weeks before bud to detect first adult emergence or migration into field.
 - * Trap effectiveness may decrease with maturation of pepper plants and with changes in pepper weevil population dynamics due to competition from native males and increased numbers of already mated females.
- PLACEMENT PATTERN:**
- * Position traps on suitable poles, stakes, or laths at plant height, but just below tops of plants. Use wire ties or rubber bands to position traps on poles or stakes, or staple to a length of lath.
 - * Initially, use a perimeter pattern to intercept first generation adults as they move into the field.
 - * As plants mature, use a grid pattern to capture second and later generation adults as they emerge.
- TRAP DENSITY:**
- * Place a minimum of 1 trap per every 2.5 acres. In areas with history or presence of heavy infestation pressure, use one trap per acre.
- COUNTING/RECORDING:**
- * Check traps, count, and record captures twice per week, or more frequently if adults are known to be present.
- SYSTEM MAINTENANCE:**
- * Replace lure system every 2 weeks. *Be sure to use PEW I and PEW II per trap.*
 - * Replace “sticky card” trap every 2 weeks, or sooner if heavy dirt or dust build-up on glue surfaces reduces catching efficiency. Remove unexpired lures from old trap and reposition on new trap. *Be sure to remove release paper from both sides of trap to assure maximum catching efficiency!*
- TRAP INTERPRETATION/RECOMMENDATIONS:**
- * Control measures generally are triggered when a single adult pepper weevil is captured.
 - * Use traps to identify the direction adult migration is coming from, and to isolate “hot spots”, so control measures can be concentrated where they are most needed.
 - * Continue trapping program throughout growing season to monitor entire crop and check effectiveness of control measures being used.
- NEVER:**
- * Use more than one set of lures per trap
 - * Fail to count as recommended
 - * Fail to record trap counts
 - * Fail to change lures as recommended
 - * Fail to change “sticky card” trap when needed
 - * Discard lures within field
 - * Fail to follow recommendations