

Pherocon® Delta VI

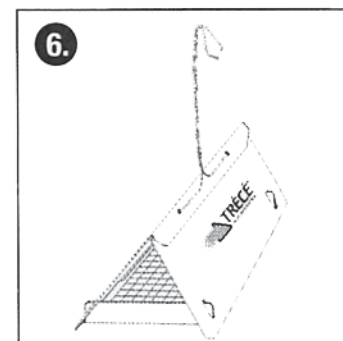
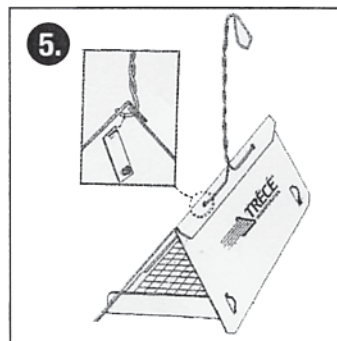
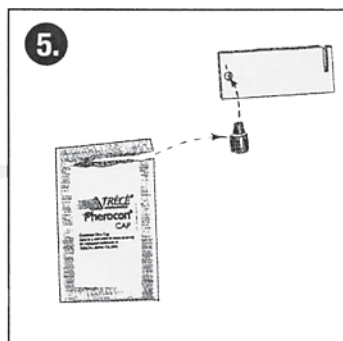
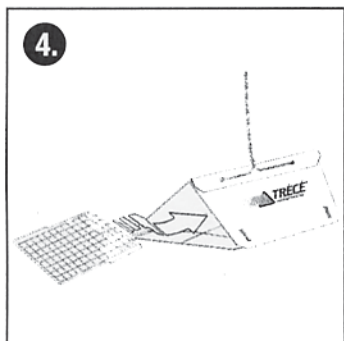
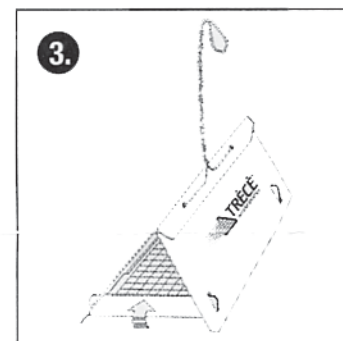
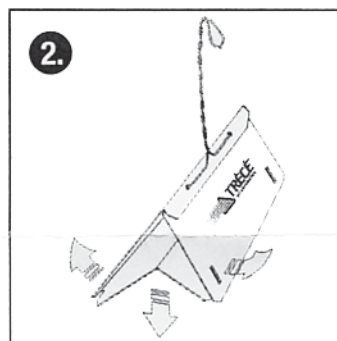
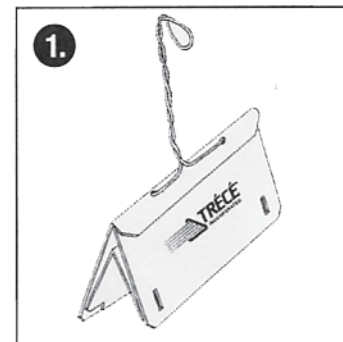
Assembly Instructions



TRAP ASSEMBLY INSTRUCTIONS

1. Straighten wire that is wrapped around trap.
2. Pull center of trap down to form a triangle.
3. Fold one end of the trap inward until tabs lock into slots.
4. Open glued liner. Holding Trece logo, place liner in trap as shown.
5. Insert lure into small hole in lure holder. At open end of trap, place lure holder in trap by pushing onto exposed inside top wire as shown.
6. Fold open end of trap inward until tabs lock into slots as shown in step three. Trap is now complete and ready to hang.

IMPORTANT: USE ONLY ONE LURE PER TRAP



Distributed by:
Great Lakes IPM, Inc.
10220 Church Rd NE
Vestaburg MI 48891

989-268-5693
800-235-0285
FAX: 989-268-5311

www.greatlakesipm.com
E-mail: glimp@greatlakesipm.com